

FS-01

Features

- Rugged high grade Noryl
- Minimum pressure drop
- Operates from a small head of water
- Vertical mount +/-15
- Suitable for water and air flow switching



Comments

- 3/4" BSP male and female threads
- Suitable for hot and cold potable water
- Reed Switch Reliability (UL File E153493)
- Meets UL 94-HB flammability rating
- Easy installation

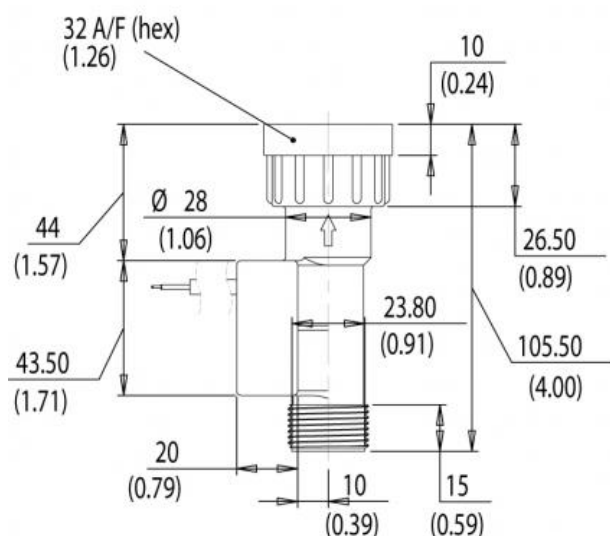
Applications

- Mains water control
- Power shower
- Central heating systems
- Circulation pump protection
- Cooling systems

Material	
Shuttle Material	Noryl
Contact Material	Triac
Operating Temperature °C	-30 to 85
Medium	Water
Housing Colour	Black
Mechanical Specifications	
Shock	50g for 11mS duration
Vibration	35g up to 500Hz
Maximum Pressure	10 Bar @ 20
IP	IP65
Switching	

Switch Action (Reed Switch)	SPST
Max Switching Voltage VDC	200
Max Switching Voltage VAC	250
Max Switching Current Amps	3
Operate Mode	N/O, close with Flow
Contact Form	A
Cable	
Cable Length	1 x 1.0M double insulated
Connection Type	Stripped Cables
Cable Type	0.5MM2 BS6500 PVC
Cable Colour	White outer Blue/Brown inner
Mounting	
Fitting	In Line
Mounting	Vertical, flow upwards
Technical Drawing	

FS-01



北京赛斯维测控技术有限公司
 北京市朝阳区望京西路48号
 金隅国际C座1002
 电话：+86 010 8477 5646
 传真：+86 010 5894 9029
 邮箱：sales@sensorway.cn
<http://www.sensorway.cn>



Gentech International Limited

www.sensorway.cn