



## Key Features & Benefits:

- Integrated thermister for accurate temperature compensation
- EEPROM programmed with sensor specific performance characteristics
- Compact Size

## Technical Specifications

### MEASUREMENT

<b>Operating Principle</b>	Non-Dispersive Infra-Red (NDIR)
<b>Measurement Range</b>	0-5% vol. Carbon Dioxide
<b>Accuracy (-20°C to +50°C)</b>	Within ± (0.1% vol CO <sub>2</sub> + 4% of concentration)
<b>Response Time (T<sub>90</sub>)</b>	<35 Seconds
<b>Repeatability:</b>	
Zero	< ±0.003% CO <sub>2</sub>
5% CO <sub>2</sub>	< ±0.075% CO <sub>2</sub>
<b>Linearity</b>	See Operating Principles OP17

### ELECTRICAL

<b>Supply Voltage</b>	3-5 VDC, 3.3 V to utilise EEPROM calibration
<b>Power Consumption</b>	<100 mW at 3.3 V
<b>Recommended Lamp Frequency</b>	2 Hz, 50% duty cycle
<b>Minimum Resolution</b>	0.005% CO <sub>2</sub> at zero 0.15% CO <sub>2</sub> at range
<b>Warm-up Time</b>	<10 Seconds

### MECHANICAL

<b>Housing Material</b>	Stainless Steel (see back page)
<b>Weight</b>	23 g
<b>Orientation</b>	Any

### ENVIRONMENTAL

<b>Typical Applications</b>	General Purpose Portable / Fixed CO <sub>2</sub> Detection
<b>Operating Temperature Range</b>	-20°C to +50°C
<b>Operating Humidity Range</b>	0 to 99% RH (non-condensing)
<b>Operating Pressure Range</b>	700 to 1300 mBar with compensation

### LIFETIME

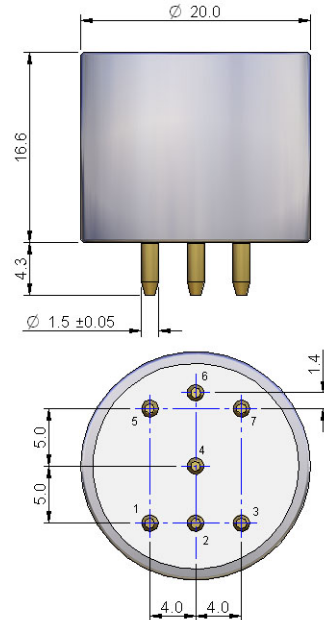
<b>Long Term Zero Drift</b>	< 80 ppm CO <sub>2</sub> per month
<b>Recommended Storage Temp</b>	-20°C to +50°C
<b>MTBF</b>	> 5 years
<b>Standard Warranty</b>	12 months from date of despatch

中国

北京赛斯维测控技术有限公司  
北京市朝阳区望京西路48号  
金隅国际C座1002  
电话: +86 010 8477 5646  
传真: +86 010 5894 9029  
邮箱: [sales@sensorway.cn](mailto:sales@sensorway.cn)

Doc. Ref.: ircelco2.pmd Issue 3 ECN 1848  
7<sup>th</sup> August 2009

## Product Dimensions



Pin	Function
1	Lamp return
2	Lamp +5V
3	+5V pyro supply
4	Detector output
5	Reference output
6	Thermistor output
7	0V pyro supply

All dimensions in mm  
All tolerances ±0.15mm  
unless otherwise stated

### IMPORTANTNOTE:

Connection should be made via PCB sockets only. Soldering to the pins will seriously damage your sensor.

All performance data is based on conditions at 20°C, 50%RH and 1013mBar, using City Technology recommended circuitry. For sensor performance data under other conditions, refer to the Characterisation Note and Operating Principles.



## Product Approval



**Approval Body:** UNDERWRITERS LABORATORIES INC®  
**Test Standard:** UL913  
CSA.C22.2 No 157  
**Product Categories:** Class 1, Division 1, Groups A, B, C, D  
**File Number:** E180262



**Approval Body:** SIRA CERTIFICATION SERVICE  
**Test Standard:** EN 60079-0:2006 General Requirements  
EN 60079-1:2007 Flameproof Enclosures "d"  
EN 61241-0:2006 Electrical Apparatus for use in the presence of Combustible Dust  
Part 0 : General Requirements.  
EN 61241-1:2004 Electrical Apparatus For use in th epresence of Combustible Dust  
Part 1 : Protection of Enclosures "td"  
**Product Categories:** ExdI/IIC T4 (T<sub>amb</sub> -20°C to +55°C),  
P<sub>max</sub> = 1.4W MbGb  
ExtI IIC IP6xDb  
II2GD/IM2 0518  
**Certificate Number:** Sira 04ATEX1084X

### **Instructions specific to hazardous area installations (reference European ATEX Directive 94 / 9/ EC, Annex II, 1.0.6.)**

The following instructions apply to equipment covered by certificate number Sira 04ATEX1084X;

1. The equipment may be used with flammable gases and vapours with apparatus groups IIA, IIB and IIC and with temperature classifications T1, T2, T3 and T4.
2. The equipment is certified for use in ambient temperatures of -20°C to +55°C.
3. The equipment has not been assessed as a safety related device (as referred to by Directive 94 / 9 / EC Annex II, clause 1.5).
4. Installation of the equipment shall be carried out by suitably trained personnel in accordance with the applicable code of practice (e.g. EN 60079-14)
5. Inspection and maintenance of this equipment shall be carried out by suitably trained personnel in accordance with the applicable code of practice (e.g. EN 60079-17).
6. Repair of this equipment shall be carried out by suitably trained personnel in accordance with the applicable code of practice (e.g. EN 60079-19).
7. Special conditions for safe use
  - 7.1. The IRceL is designed to be connected to a gas detector which shall provide an intrinsically safe supply and having a maximum output power (P<sub>max</sub>) not greater than 1.4 watt.
  - 7.2. Because the IRceL has not been proven to withstand the impact and drop tests prescribed in EN 60079-0:2006, clauses 26.4.2 and 26.4.3, additional protection shall be provided to ensure that it cannot be subjected to such mechanical stresses.

8. The certification of this equipment relies upon the following materials used in its construction;  
 Enclosure material: either 303 stainless steel, which contains less than 6% magnesium

or 304 stainless steel, which contains less than 6% magnesium

Flame arrester: 316 stainless steel mesh

Cement: CW2248/HY956EN

Manufacturer	Ciba-Geigy
Type of compound	Epoxy resin
Colour	Beige (natural)
Filler type and %	55.2% trihydrated Al <sub>2</sub> O <sub>3</sub>
Other additives	8.3%
Surface treatments	None
Temperature index	170°C
City Tech reference	RM 497

If the equipment is likely to come into contact with aggressive substances, then it is the responsibility of the user to take suitable precautions that prevent it from being adversely affected, thus ensuring that the type of protection is not compromised.

Aggressive substances: e.g. acidic liquids or gases that may attack metals, or solvents that may affect polymeric materials.

Suitable precautions: regular checks as part of routine inspections or establishing from the material's data sheet that it is resistant to specific chemicals.

9. The IRceL is available in several formats depending upon the optical filter and components employed. The Certification marking is shown below using the IRceL CH4 label as an example:



Every effort has been made to ensure the accuracy of this document at the time of printing. In accordance with the company's policy of continued product improvement City Technology Limited reserves the right to make product changes without notice. No liability is accepted for any consequential losses, injury or damage resulting from the use of this document or from any omissions or errors herein. The data is given for guidance only. It does not constitute a specification or an offer for sale. The products are always subject to a programme of improvement and testing which may result in some changes in the characteristics quoted. As the products may be used by the client in circumstances beyond the knowledge and control of City Technology Limited, we cannot give any warranty as to the relevance of these particulars to an application. It is the clients' responsibility to carry out the necessary tests to determine the usefulness of the products and to ensure their safety of operation in a particular application. Performance characteristics on this data sheet outline the performance of newly supplied sensors. Output signal can drift below the lower limit over time.

